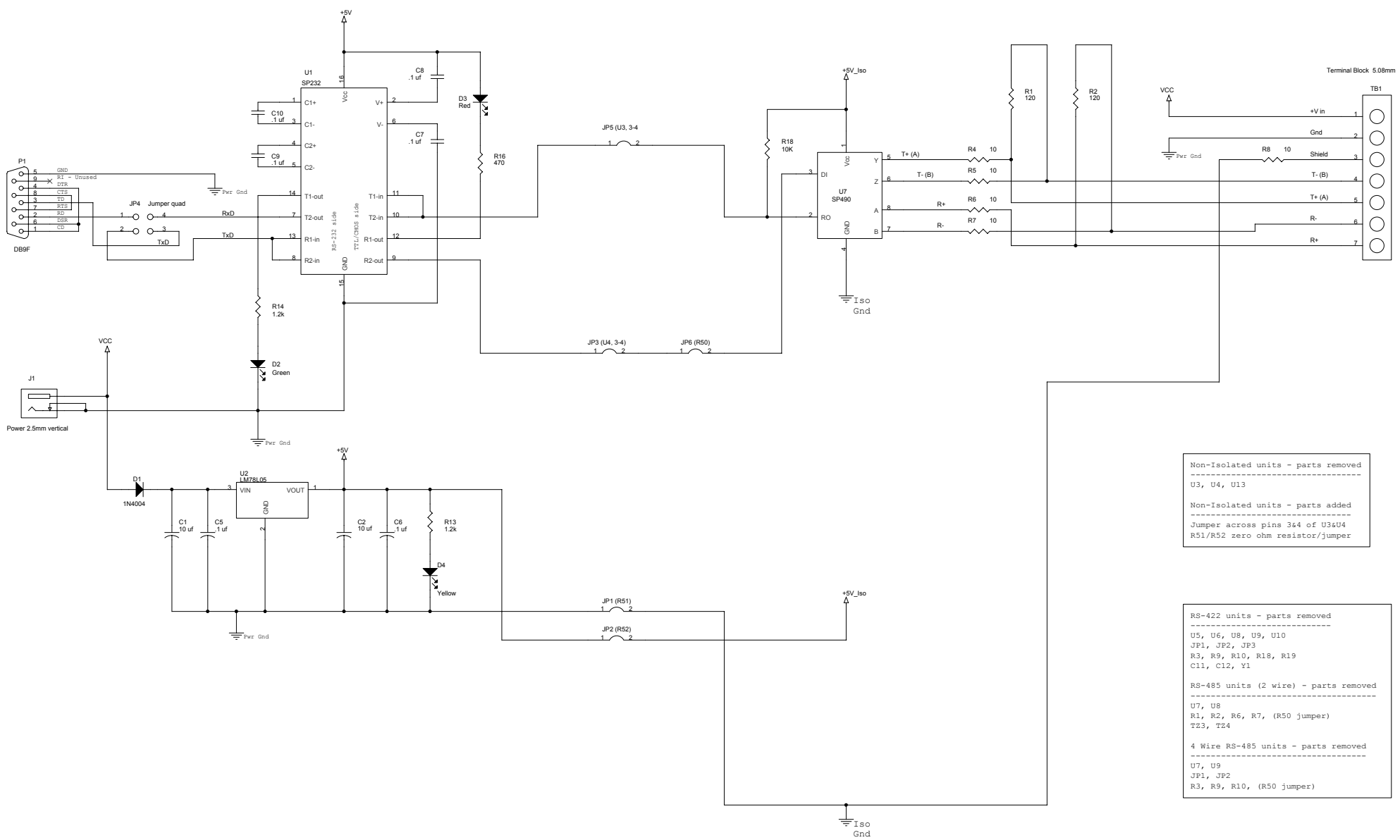


JP4 (jumpers in 1-4 and 2-3) DCE (default)
 JP4 (jumpers in 1-2 and 3-4) DTE



Non-Isolated units - parts removed

 U3, U4, U13
 Non-Isolated units - parts added

 Jumper across pins 3&4 of U3&U4
 R51/R52 zero ohm resistor/jumper

RS-422 units - parts removed

 U5, U6, U8, U9, U10
 JP1, JP2, JP3
 R3, R9, R10, R18, R19
 C11, C12, Y1
 RS-485 units (2 wire) - parts removed

 U7, U8
 R1, R2, R6, R7, (R50 jumper)
 T23, T24
 4 Wire RS-485 units - parts removed

 U7, U9
 JP1, JP2
 R3, R9, R10, (R50 jumper)

JP1/JP2 RS-485 Terminated (IN - default)
 JP1/JP2 RS-485 Non-Terminated (OUT)
 JP3 RS-485 Echo Disable (IN - default)
 JP3 RS-485 Echo Enable (OUT)